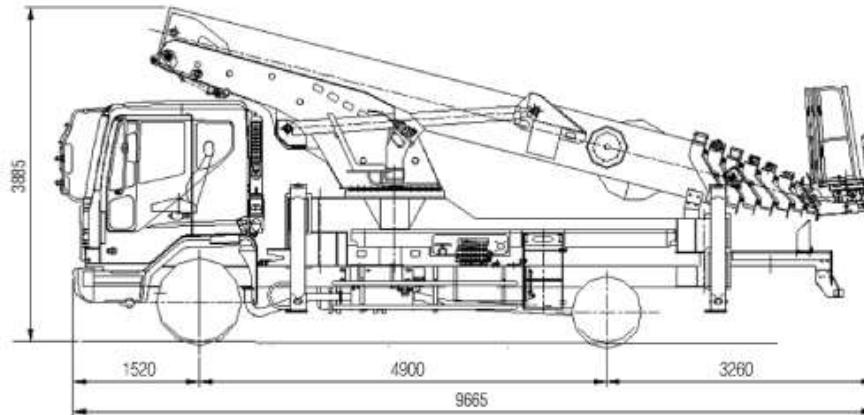


■ HORYONG SKYLIFT 45M SPECIFICATION

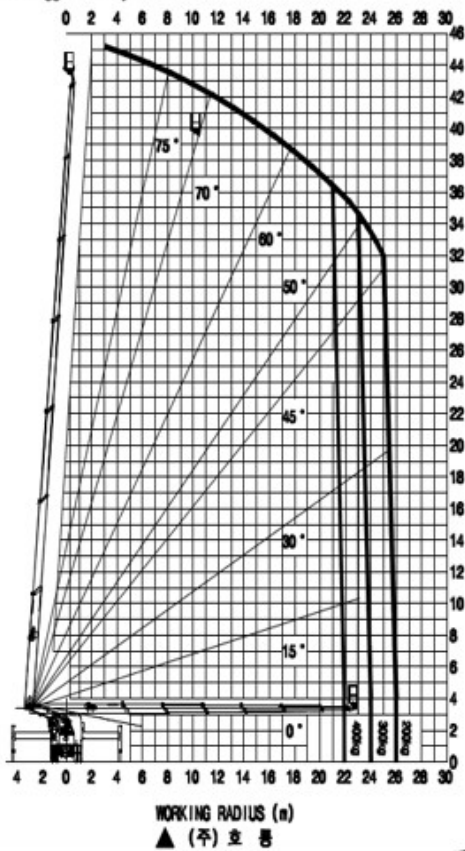
Division	Item	Unit	Detail	Remark	
Chassis	Brand		Daewoo Novus 5Ton		
	Wheelbase	MM	4,900		
Total Weight	Full Length	MM	9,665		
	Full Width	MM	2,495		
	Overall Height	MM	3,885		
	Total Weight	KG	15,930		
Work Range	Work Height	M	45		
	Work Radius	M	24		
	Work Weight		2 persons or 300kg		
Boom	Type		7-step 8-angles high-tension imported steel plate		
	Operation Type		1~7stage simultaneous withdrawal		
Outrigger	Type		X-type, X-type		
	Withdrawal Width	MM	Front-8,170 Back-8,170	Center	
Turn Table	Type		Worm Decelerator+Motor+Break		
	Rotational Angle	Angle	350 Degree		
Basket	Length x Width x Height	General	1650×580×1160		
		Extension	3200×1100×1160		
	Operation	Horizontal Balance		Oil-pressure automatic balance system	
		Rotational Angle		360 Degree	



SKY4504N 측방 작업반경도

(SKY450-N9A2)

Platform loading capacity: 200kg, 300kg, 400kg or 2 persons
Outriggers fully extended

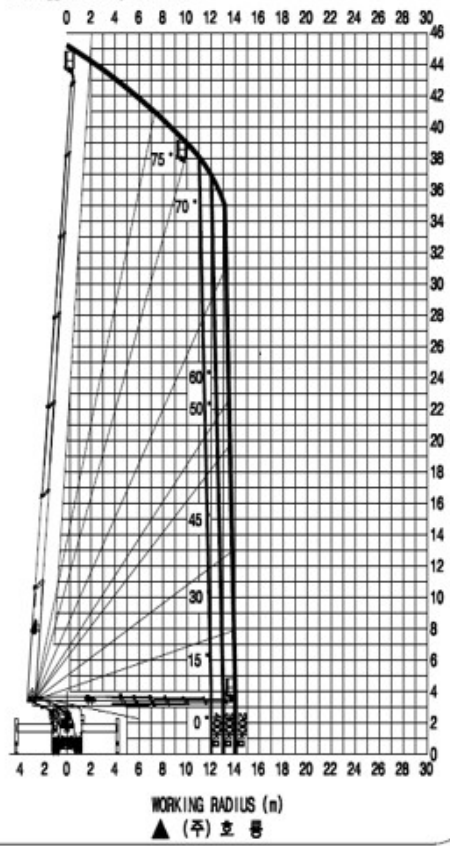


Side Working Radius

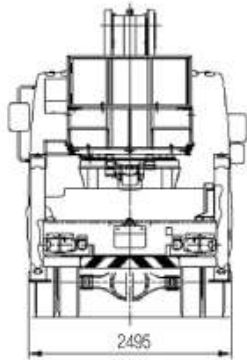
SKY4504N 전방 작업반경도

(SKY450-N9A2)

Platform loading capacity: 200kg, 300kg, 400kg or 2 persons
Outriggers fully extended



Front Working Radius

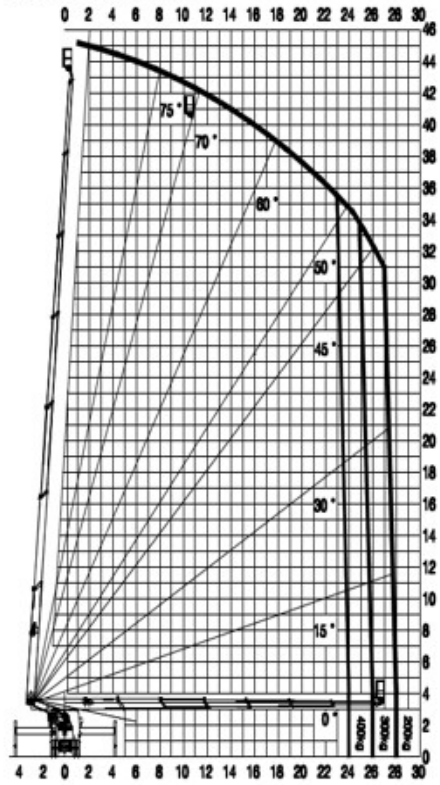


SKY4504N 후방 작업반경도

(SKY450-H942)

Platform loading capacity: 200kg, 300kg, 400kg or 2 persons

Outriggers fully extended



WORKING RADIUS (m)

▲ (주) 호 품

Rear Working Radius





